



# OWNER/OPERATOR'S MANUAL & PARTS LIST

## SNOW BLOWER

Model LX420



Revised 08/26/08

09.10039



Orrville, OH  
www.ventrac.com

**TO THE OWNER**

**Product Identification**

If you need to contact an Authorized Ventrac Dealer for information on servicing your product, always provide the Product Model and Serial numbers.

Please fill in the following information for future reference. See picture below to find the location of the identification number. Record them in the spaces provided below.

Date of Purchase: Month \_\_\_\_\_ Day \_\_\_\_\_ Year \_\_\_\_\_

Dealer: \_\_\_\_\_

Dealer Address: \_\_\_\_\_  
\_\_\_\_\_

Dealer Phone Number: \_\_\_\_\_

Dealer FAX Number: \_\_\_\_\_

Model # (A): \_\_\_\_\_

Serial # (B): \_\_\_\_\_

Affix Part/Serial Number label here

Venture Products Inc. reserves the right to make changes in design or specifications without obligation to make like changes on previously manufactured products.

# TABLE OF CONTENTS

---

<b>INTRODUCTION</b>	<b>SECTION A</b>
Description & Specifications . . . . .	A-1
<b>SAFETY</b>	<b>SECTION B</b>
Safety Symbols . . . . .	B-1
Decals . . . . .	B-2
General Safety Procedures . . . . .	B-3
Safety Operation & Techniques . . . . .	B-4
<b>OPERATION</b>	<b>SECTION C</b>
Attaching . . . . .	C-1
Detaching . . . . .	C-2
Operating Techniques & Tips . . . . .	C-2
<b>MAINTENANCE/ADJUSTMENTS</b>	<b>SECTION D</b>
Bearing Lubrication . . . . .	D-1
Gearbox Lubrication . . . . .	D-1
Belt Replacement . . . . .	D-1
Chute Adjustment . . . . .	D-2
Skid Shoe Adjustment . . . . .	D-2
<b>PARTS &amp; ILLUSTRATED DRAWINGS</b>	<b>SECTION E</b>
Main Frame & Auger Drive . . . . .	E-1 & 2
Main Drive & Fan Drive . . . . .	E-3 & 4
Chute & Hydraulics . . . . .	E-5 & 6
Shields & Decals . . . . .	E-7 & 8
Cutting Edge, Bump Bar, & Skid Shoes . . . . .	E-9 & 10
<b>PARTS/OPTIONS</b>	<b>SECTION F</b>
12 Volt Actuator Deflector Control . . . . .	F-1 & 2
Weight Transfer for LT3000 Tractors . . . . .	F-3 & 4
<b>WARRANTY</b>	

# INTRODUCTION

---

## Product Description LX420 Snow Blower

The Ventrac Model LX420 Snow Blower is a powerful, high capacity, two-stage snow blower. It combines an aggressive sixteen inch auger with a heavy duty, high speed fan to make a powerful and efficient snow removing attachment for the Ventrac 3000 series tractors.

The LX420 Snow Blower features:

- a hydraulic motor that rotates the chute 220 degrees.
- a reversible, hardened cutting edge.
- quick attach mounting to the tractor.
- adjustable skid shoes.
- optional 12 volt actuator to control the chute deflector angle.

### Ventrac LX420 Specifications

Overall Height . . . . .	52-1/2 inches
Overall Length . . . . .	43 inches
Overall Width . . . . .	42 inches
Weight . . . . .	360 pounds
Auger Opening Width . . . . .	38 inches
Auger Diameter . . . . .	16 inches
Fan Diameter . . . . .	19-1/2 inches

Venture Products, Inc. reserves the right to change these specifications without notice.

# SAFETY

---



## ATTENTION:

This symbol identifies potential health and safety hazards. It marks safety precautions. Your safety and the safety of others is involved.

### SIGNAL WORD DEFINITIONS

#### **DANGER**

Indicates an imminently hazardous situation which, if not avoided, will result in death or serious injury. This signal word is limited to the most extreme cases.

#### **WARNING**

Indicates a potentially hazardous situation which, if not avoided, could result in death or serious injury.

#### **CAUTION**

Indicates a potentially hazardous situation which, if not avoided, may result in minor or moderate injury and/or property damage. It may also be used to alert against unsafe practices.

# SAFETY

The following decals must be maintained on your Ventrac Attachment. If any decals are faded or missing, contact your dealer promptly for replacements.



A



B



C



D



E



F



G

Decal	Page & Location	Description	Part Number
A	E-7, #5	DECAL, DANGER SHIELD MISSING	00.0062
B	E-7, #18	DECAL, HAZARD-MOVING PART	00.0101
C	E-7, #17	DECAL, THROWN OBJECT HAZARD	00.0122
D	E-5, #34 (2)	DECAL, KEEP HAND AND FEET AWAY	00.0123
E	E-7, #6 (2)	DECAL, DANGER AUGER HAZARD	00.0208
F	E-7, #23	DECAL, WARNING READ OWNERS MAN	00.0217
G	E-7, #23	DECAL, GENERAL SAFETY	00.0220

# SAFETY

---



## General Safety Procedures for Ventrac Tractors, Attachments, & Accessories



Read and understand the operator's manual before operating this equipment.

Observe and follow all safety decals.

DO NOT let children or any untrained person operate the tractor or attachment. Make sure that all operators of this equipment are thoroughly trained in using it safely.

Never allow additional riders on the tractor or attachments.

DO NOT operate tractor or attachments if you are under the influence of alcohol, drugs, or medication that may impair judgment or cause drowsiness, or if you are not feeling well.

Operate all controls from the operator's seat only.

Before operating equipment, make sure all shields are in place and fastened.

Ensure the attachment or accessory is locked or fastened securely to the tractor before operating. See tractor manual for locking procedure.

Ensure that all bystanders are clear of the tractor and attachment before operating. Be especially careful and observant if other people are present. Never assume that bystanders will remain where you last saw them.

Always look in the direction the tractor is moving.

Never direct the discharge of any attachment in the direction of people, animals, buildings, vehicles, or objects of value.

Stop operation immediately at any sign of equipment failure and correct the problem before continuing to operate. An unusual noise can be a warning of equipment failure or a sign that maintenance is required.

Before adjusting, cleaning, lubricating, or changing parts on the tractor or attachment, engage the parking brake, lower the attachment to the ground, stop the engine, and remove the ignition key.

To prevent the risk of uncontrolled equipment movement on tractors equipped with 2 speed axles, always shift the transaxle range with the tractor stationary on level ground and with the parking brake engaged.

If equipment is to be left unattended, engage the parking brake, lower the attachment to the ground, stop the engine, and remove the ignition key.



# SAFETY

## LX420 Safety Procedures

### ⚠ WARNING

Before making any repairs or adjustments, engage the parking brake, lower attachment to the ground, shut the engine off, and remove the key.

### ⚠ WARNING

Read and understand the operator's manual before operating this equipment.

### ⚠ WARNING

Never direct the snow blower discharge chute toward people, animals, buildings, vehicles, or other personal property. Debris can be thrown from the chute causing damage, serious injury, or death.

### ⚠ WARNING

Before operating any LX420 prior to serial AB1135 with a LE3100 or LE3200 that is equipped with a tractor cab, a new center post (Kit #70.3022) must be installed, or the tractor cab must be removed. Damage may occur to the cab if proper precaution is not followed.



See Warning Above  
Before Operating the  
LX420 with a LE Cab!

Never operate snow blower when people are in the area. Frozen snow, ice, gravel, and other objects can be thrown at lethal velocity.

Operators should be familiar with the area they are clearing and make preparations ahead of time. Place guide stakes appropriately and remove stones, markers, or other debris that may be hidden after a snowfall. Curbs, offsets, steps, man hole covers, broken or raised pavement, etc. should be noted. Operators should map areas to be cleared before the winter season so they can review potential hazards prior to clearing snow in the area.

If an area is to be cleared that is unfamiliar to the operator, travel slowly and use **EXTREME CAUTION**. Inquire of anyone who might know of potential hazards.

The operator should never proceed if visibility is poor. If the tractor is equipped with a cab, the windshield must be kept clean.

Discharge snow with the wind direction as much as possible. Discharging into the wind reduces blowing distance and visibility.

Use caution when operating around objects that can obstruct your vision.

Shut off the PTO when you are not blowing snow.

Always shut off the PTO and engage the parking brake before dismounting to change the angle of the discharge chute deflector.

Never travel at speeds that would cause injury to the operator or damage to the machine, if the machine were to be stopped suddenly by an unseen, immovable object.



# OPERATION

## Attaching

1. Drive the tractor slowly forward into the hitch arms on the snow blower. Align the lift arms of the tractor with the snow blower hitch arms by raising or lowering the front hitch and complete the engagement.
2. Once completely engaged, close the front hitch locking lever. \*
3. Raise snow blower to the highest position, engage the parking brake\*, and shut off the engine.
4. **LT3000:** Place blocks underneath the snow blower to prevent it from lowering. Insert the spring hook through the hole on the upper spring mounting bracket and slip the other spring hook over the spring anchor lever on the snow blower (Fig 1). Rotate the spring anchor lever down until the hole is aligned with one of the holes on the main frame. The lowest hole is recommended. Insert the ball pin to secure. See (Fig 2).

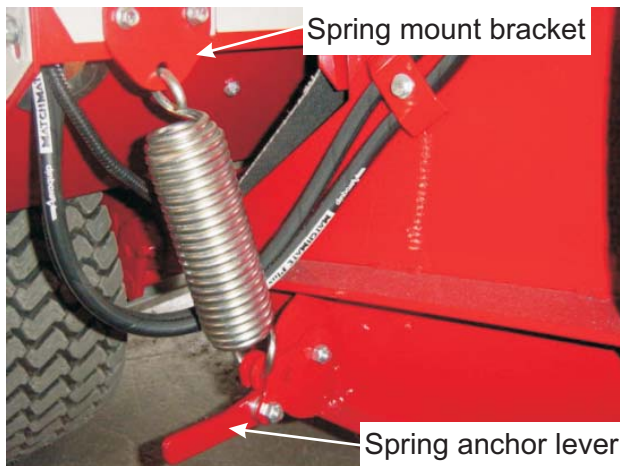


Figure 1



Figure 2

**LE3100-3200:** Set the weight transfer system\* to the maximum amount of weight transfer allowable. (Note: If your LE3100 is not equipped with weight transfer, part # 70.3014 must be ordered).

5. Place the attachment belt over the outside groove of the PTO drive pulley on the tractor. Ensure the belt is properly seated in each pulley.
6. Engage the PTO belt tension spring on the snow blower. See Figure 3. Belt tension can be adjusted by moving the belt tension spring to a different slot. See belt tension adjustment on page D-2.
7. Wipe the quick couplers clean, and connect to the tractor. If equipped, connect the hoses and quick couplers so the red indicators are paired together and the yellow indicators are paired together.
8. Connect the electric plug. (if equipped)



Figure 3

\* Refer to tractor manual for operation of controls.

# OPERATION

---

## Detaching

1. Park the tractor on a level surface and set the parking brake.\*
2. Raise the snow blower to the highest position and shut off tractor engine.
3. Place blocks under snow blower to prevent it from lowering.
4. **LT3000:** To remove the weight transfer springs, hold down the spring anchor lever, remove the ball pin, and slowly rotate the lever up. Remove the springs and keep with the snow blower.  
**LE3100-3200:** Disengage the weight transfer system\*.
5. Remove the blocks and lower the snow blower to the ground.
6. Disengage the PTO belt tension spring.
7. Remove the attachment belt from the PTO drive pulley of the tractor.
8. Disconnect the hydraulic quick couplers from the tractor.
9. Disconnect the electric plug. (if equipped)
10. Disengage the hitch locking lever.\*
11. Restart tractor and slowly back away from the snow blower.

\* Refer to tractor manual for operation of controls.

## Operating Techniques & Tips

The tractor should be running approximately 2000-2500 RPM before engaging the PTO.

Always direct the discharge chute toward open areas. Whenever possible, blow snow with the wind direction and not against it.

Rotate the discharge chute until discharge is pointed in the desired direction. Adjust the chute deflector to the desired angle. (Refer to page D-2) Engage the PTO and lower the snow blower to the ground. Push the front lift lever forward until it locks in the float position. Drive forward slowly. Shut off PTO whenever you are not blowing snow.

# MAINTENANCE/ADJUSTMENTS

Grease the auger, jack-shaft, & blower shaft bearings approximately every 25 hours. Do not over grease. Usually one or two pumps are sufficient. Additional lubrication may be required in extremely harsh or dirty conditions.

Gearbox manufacturers recommend changing the gearbox oil 50 hours after start up and then every 500 hours or seasonally, whichever comes first.

Check gearbox oil every 100 hours. It should be approximately 1/2 full. Always use 80-90 weight gear oil when changing or adding oil.

## Belt Replacement

	Belt Size	Venture Part #
PTO drive belt (from tractor to snow blower) . . . . .	A90 . . . . .	81.A090
Auger drive belt (X2) . . . . .	A48 . . . . .	81.A048
Fan Drive Belt . . . . .	B63 . . . . .	81.B063

## Fan Drive Belt Replacement

1. Release the belt tension springs for the fan drive belt.
2. Remove the two bolts from the bracket that holds the rear blower shaft bearing. See Figure 4.

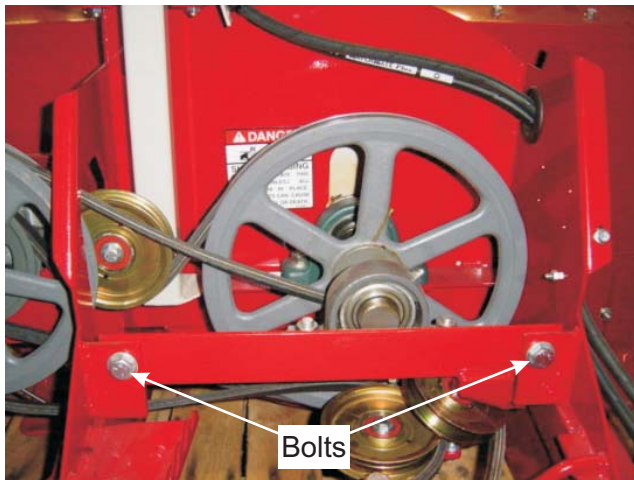


Figure 4



Figure 5

3. Rotate the bracket as shown in Figure 5.
4. Remove the PTO drive belt. Remove the old fan belt and install the new belt. Reinstall the PTO drive belt.
5. Rotate the bracket back into place and install the two bolts.
6. Reapply the belt tension springs for the fan drive belt.

## Auger Drive Belt Replacement

1. Remove the auger drive belt cover.
2. Release the belt tension spring and remove the old belt(s).
3. Install the new belt(s) and engage the belt tension spring.
4. Reinstall the auger drive belt cover.

# MAINTENANCE/ADJUSTMENTS

---

## Belt Tension Adjustment

The belt spring tension is adjustable. This adjustment allows some belt slippage to protect the gearbox and drive components in the event an immovable object stops the auger or fan. At the factory, the spring is installed with the least amount of tension. The spring tension may be increased if required.

## Chute Adjustment

The chute deflector can be manually adjusted to several different settings. Release the chute adjustment link by pulling to the side and move the deflector to the desired angle. Re-engage the chute adjustment link. With the optional electric actuator, the chute deflector can be adjusted with a switch on the tractor. (Part # 70.8025)

## Skid Shoe Adjustment

Skid shoes are provided to raise and lower the cutting edge to the desired height. This is helpful when clearing snow on gravel drives and roadways. To adjust the skid shoes, park the tractor and snow blower on a level surface. Raise the snow blower and set blocks of the desired height under the cutting edge. See Figure 6. Lower the snow blower until it is resting on the blocks. Turn off engine and remove key. Loosen the skid shoe mounting bolts and slide the skid shoes down until they touch the ground. Re-tighten the mounting bolts. Both skid shoes should be adjusted to the same height.

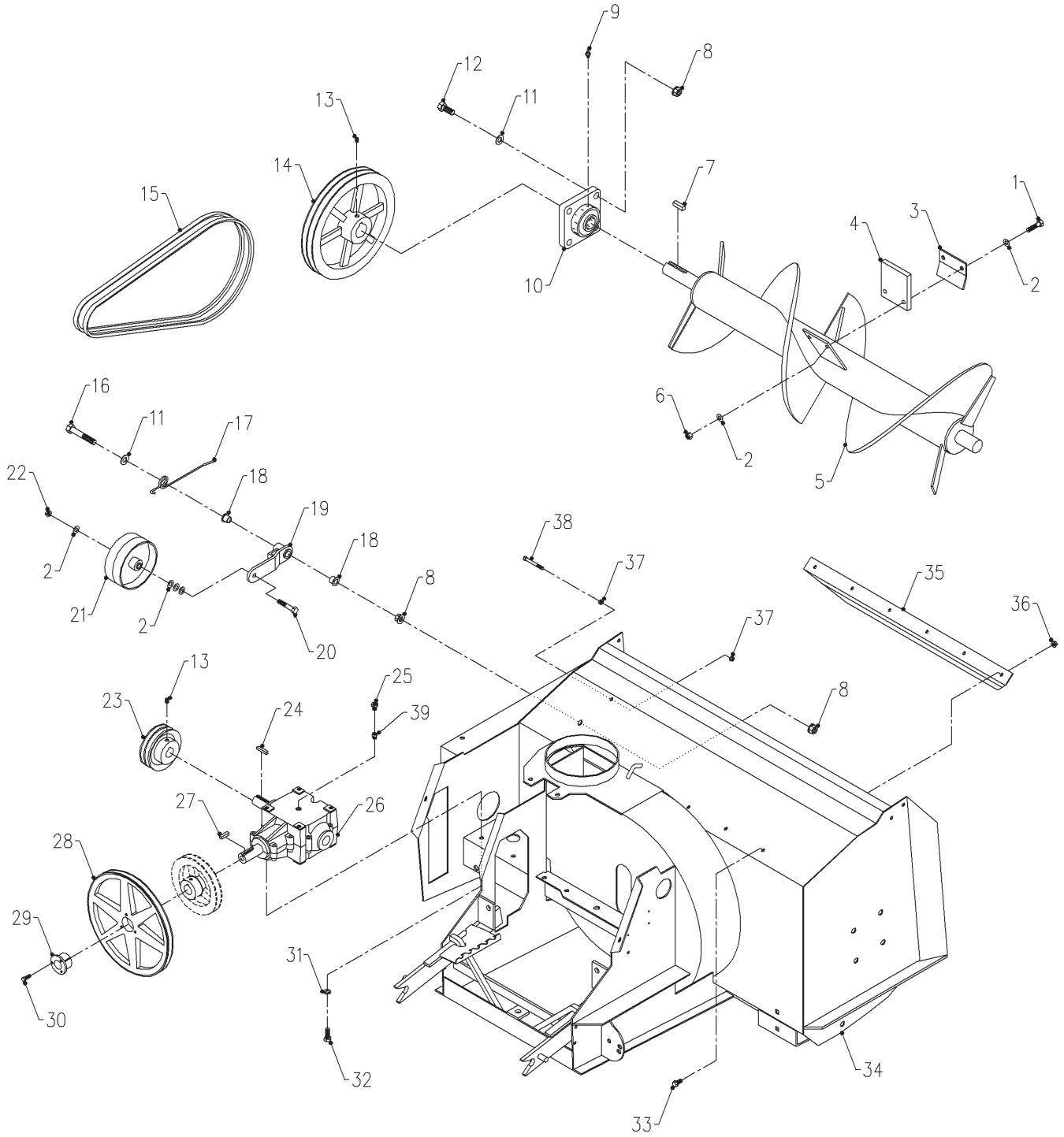


**Figure 6**

# PARTS MANUAL

# PARTS

## ILLUSTRATED DRAWING MAIN FRAME & AUGER DRIVE





# PARTS

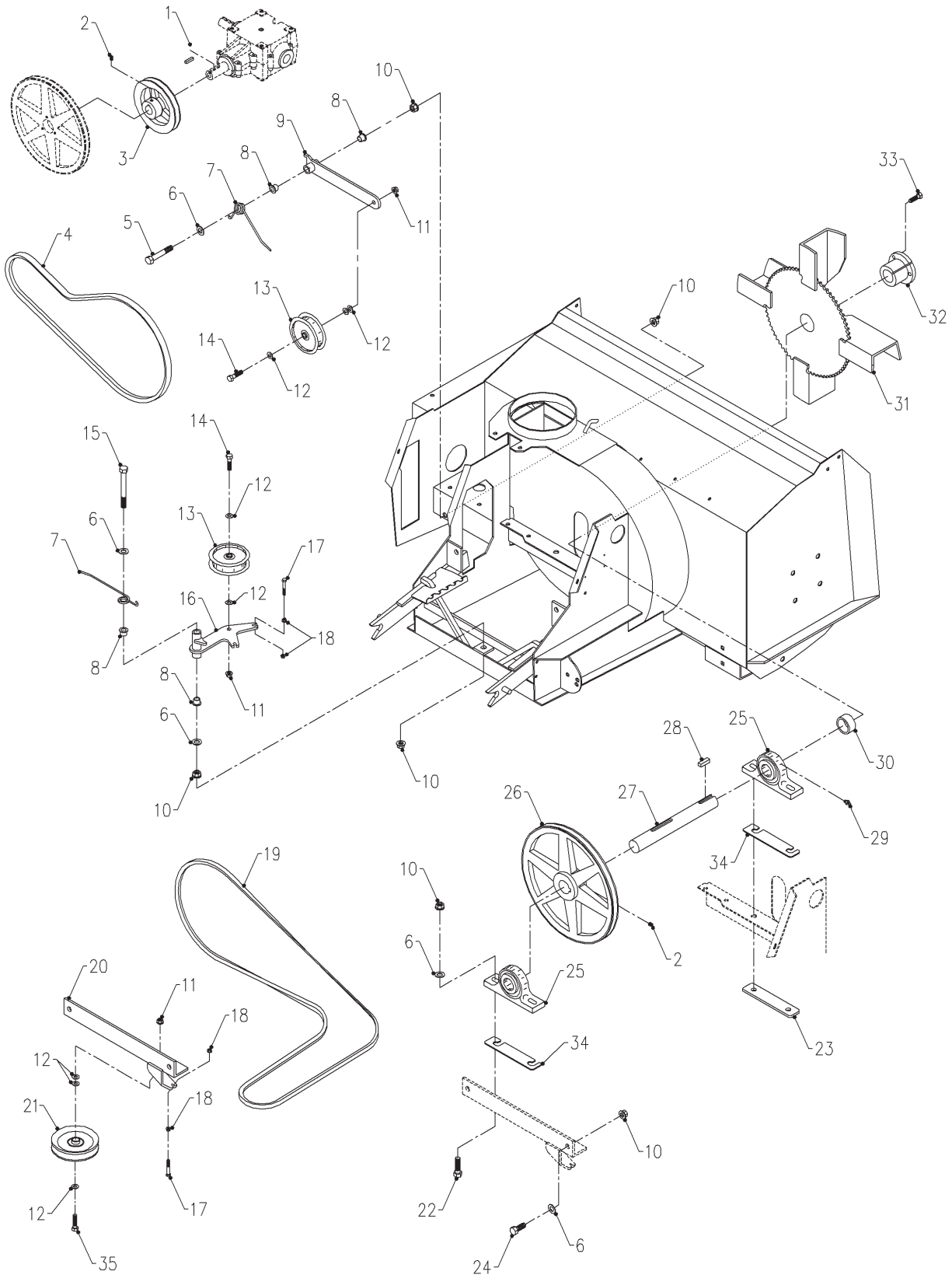
## MAIN FRAME & AUGER DRIVE

REF.	PART NO.	DESCRIPTION	QTY.
1	90.0612	BOLT, 3/8-16 USS X 1 1/2	4
2	95.06	WASHER, FLAT 3/8 SAE	12
3	64.1088	PLATE, AUGER PADDLE RETAINER	2
4	44.0181	PADDLE, 1/2" 3 PLY 3/8 X 1/16	2
5	80.0348	AUGER, ASM. LX420	1
6	99.A06N	LOCKNUT, NYLON 3/8-16	4
7	85.K0610	KEY, 3/8 X 1 1/4	1
8	99.SF08	NUT, SF 1/2-13 USS	10
9	29.GF0001	GREASE FTG, 1/4 SAE ST	2
10	55.FB22023	BEARING, FLANGE BLOCK 1-7/16"	2
11	95.08	WASHER, FLAT 1/2 SAE	9
12	90.0810	BOLT, 1/2-13 USS X 1 1/4	8
13	85.SS09	SET SCREW, 5/16" X 3/8"	2
14	83.2AK11423	PULLEY, 11.4" 1-7/16" BORE	1
15	81.A048	BELT, A48	2
16	90.0824	BOLT, 1/2-13 USS X 3	1
17	41.0066	SPRING, SINGLE TORSION LH	1
18	85.B0027	BUSHING, 1/2 ID X 5/8 OD X 5/8	2
19	40.0314	IDLER ARM, AUGER DRIVE	1
20	90.0616	BOLT, 3/8-16 USS X 2	1
21	83.0040	PULLEY, IDLER FLAT 5" PLAIN	1
22	99.SF06	NUT, SF 3/8-16 USS	1
23	83.2AK2816	PULLEY, 2.8" 1" BORE	1
24	85.K0410	KEY, 1/4 X 1 1/4	1
25	29.0093	PIPE, BREATHER PLUG 1/4	1
26	87.0219	GEARBOX, CW/CCW 1" SHAFT 2:1	1
27	85.K0408	KEY, 1/4 X 1	1
28	83.BK110H	PULLEY, BK 11" H-BUSH	1
29	83.H16S	BUSHING, 1" SPLIT 1/4" KEY	1
30	90.0406	BOLT, 1/4-20 USS X 3/4	2
31	96.06	WASHER, LOCK 3/8	4
32	90.0608	BOLT, 3/8-16 USS X 1	4
33	99.SF0506	BOLT, SF 5/16-18USS X 3/4	6
34	62.0994	FRAME, MAIN LX420	1
35	60.0876	RETAINER, SNOW THROWER FAN	1
36	99.SF05	NUT, SF 5/16-18 USS	6
37	99.SF04	NUT, SF 1/4-20 USS	6
38	90.0418	BOLT, 1/4-20 USS X 2 1/4	3
39	29.B0204G	PIPE, BUSHING 1/8 X 1/4 GALV.	1



# PARTS

## ILLUSTRATED DRAWING MAIN DRIVE & FAN DRIVE



# PARTS

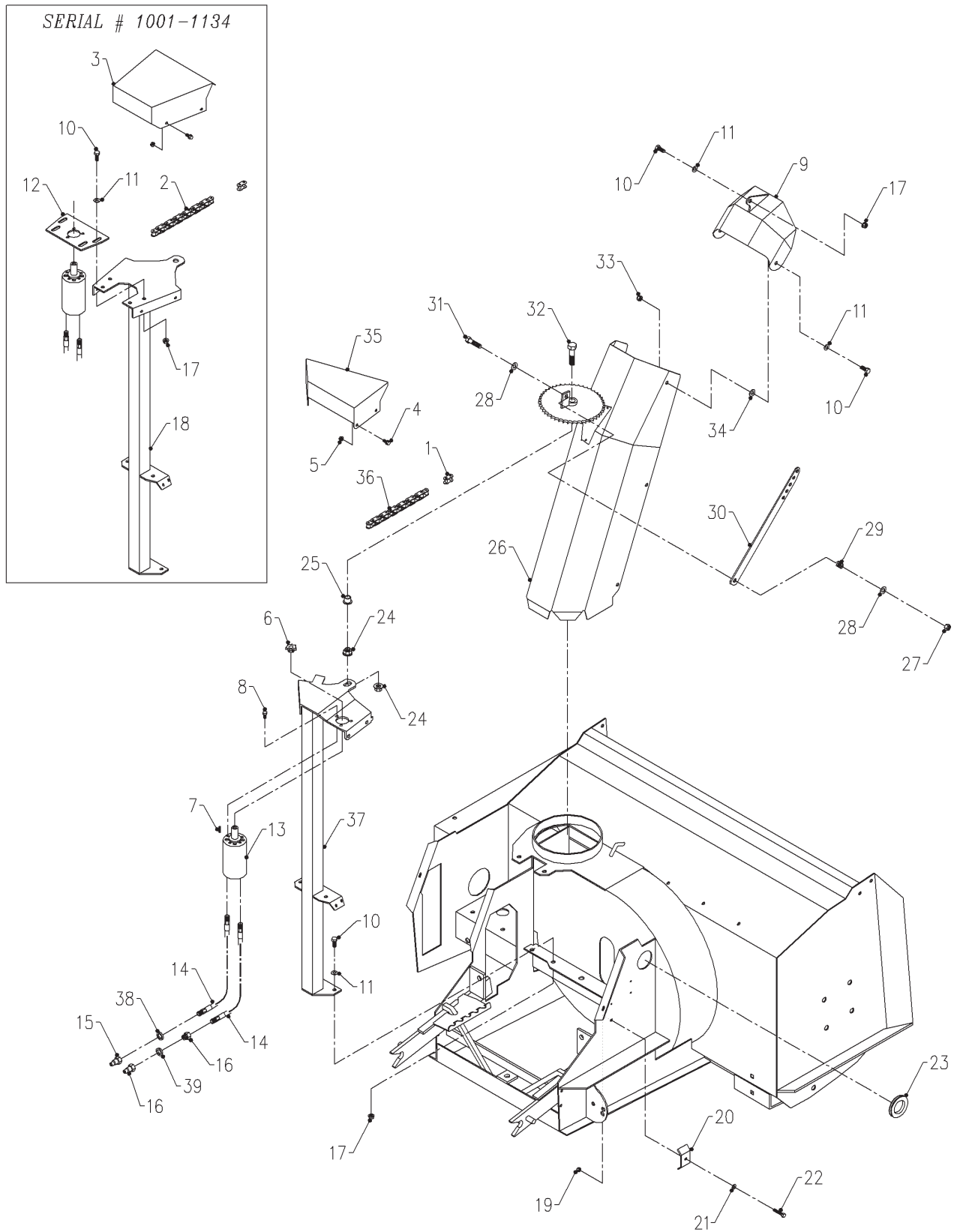
## MAIN DRIVE & FAN DRIVE

REF.	PART NO.	DESCRIPTION	QTY.
1	85.K0408	KEY, 1/4 X 1	1
2	85.SS09	SET SCREW, 5/16" X 3/8"	2
3	83.BK6016	PULLEY, 6" 1"BORE	1
4	81.B063	BELT, B63	1
5	90.0824	BOLT, 1/2-13 USS X 3	1
6	95.08	WASHER, FLAT 1/2 SAE	9
7	41.0066	SPRING, SINGLE TORSION LH	2
8	85.B0027	BUSHING, 1/2 ID X 5/8 OD X 5/8	4
9	40.0318	IDLER ARM, BLOWER DRIVE LX420	1
10	99.SF08	NUT, SF 1/2-13 USS	10
11	99.SF06	NUT, SF 3/8-16 USS	3
12	95.06	WASHER, FLAT 3/8 SAE	8
13	83.0037	PULLEY, IDLER FLAT 4" X 3/8	2
14	90.0612	BOLT, 3/8-16 USS X 1 1/2	2
15	90.0836	BOLT, 1/2-13 USS X 4 1/2	1
16	40.0320	IDLER ARM, POWER SUPPLY BELT	1
17	90.0414	BOLT, 1/4-20 USS X 1 3/4	3
18	99.SF04	NUT, SF 1/4-20 USS	6
19	81.A090	BELT, A90	1
20	64.1096	MOUNT, BEARING IDLER LX420	1
21	83.0038	PULLEY, V-IDLER 4-1/4 X 3/8 ID	1
22	90.0814	BOLT, 1/2-13 USS X 1 3/4	4
23	64.1099	PLATE, BEARING REINFORCEMENT	1
24	90.0810	BOLT, 1/2-13 USS X 1 1/4	2
25	55.PB22023	BEARING, PILLOW BLOCK 1 7/16	2
26	83.BK13023	PULLEY, 13" 1-7/16" BORE	1
27	80.0346	SHAFT, THROWER FAN	1
28	85.K0610	KEY, 3/8 X 1 1/4	2
29	29.GF0001	GREASE FTG, 1/4 SAE ST	2
30	64.1100	BUSHING, 1-1/2 X 2 X 7/8	1
31	80.0344	BLOWER, SNOW BLOWER	1
32	83.Q123	BUSHING, 1 7/16" Q1	1
33	90.0610	BOLT, 3/8-16 USS X 1 1/4	3
34	64.1249	SHIM, BEARING KX/LX	A/R*
35	90.0614	BOLT, 3/8-16 USS X 1 3/4	1

\*As Required

# PARTS

## ILLUSTRATED DRAWING CHUTE & HYDRAULICS



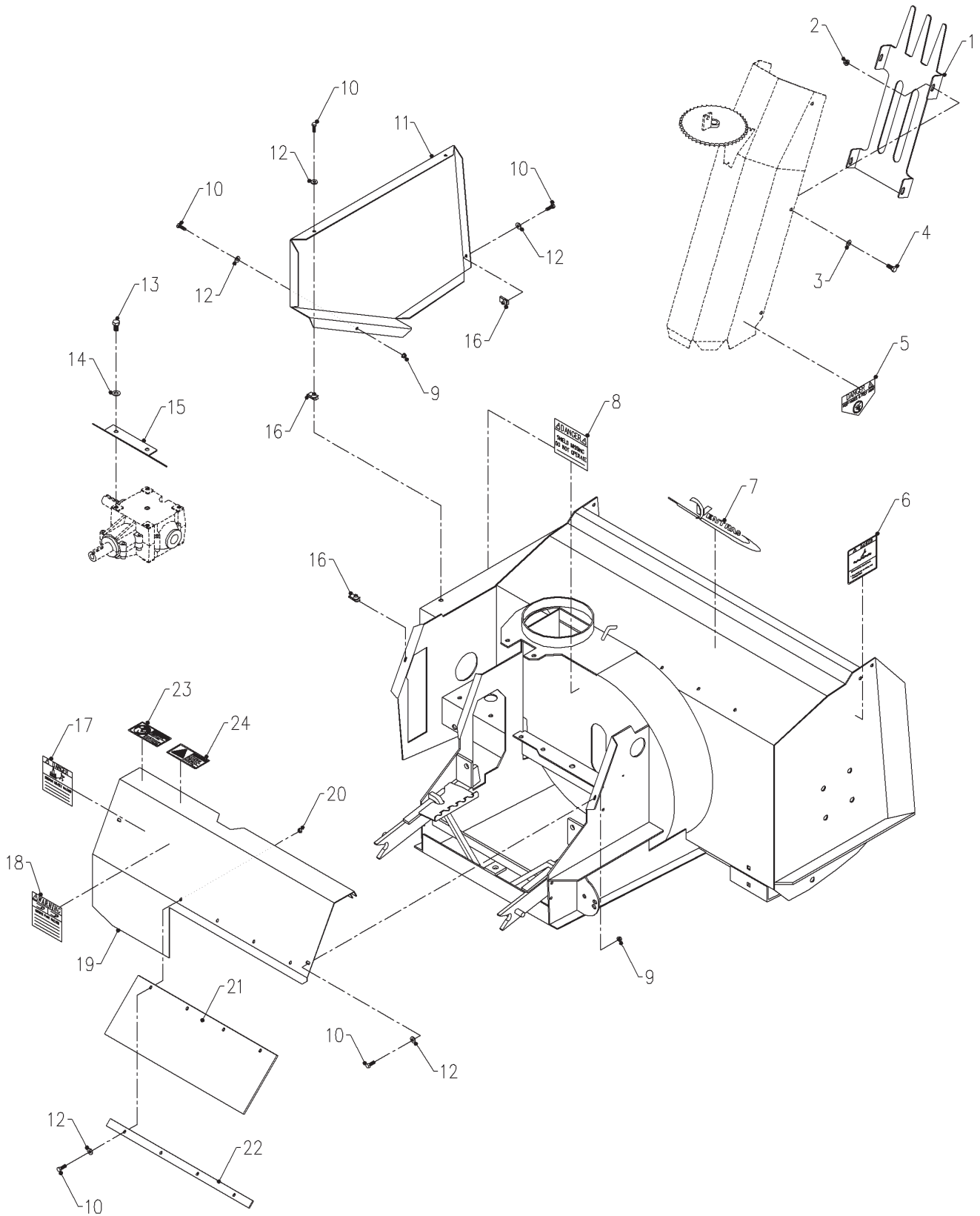
# PARTS

## CHUTE & HYDRAULICS

REF.	PART NO.	DESCRIPTION	QTY.
1	81.0056-1	LINK, CONN. #40 SS	1
2	81.0147	CHAIN, ROLLER #40 X 30-7/8 SS (SERIAL # 1001-1134)	1
3	60.0872	SHIELD, ROTATOR CHAIN COVER (SERIAL # 1001-1134)	1
4	99.SF0404-1	BOLT, SF 1/4-20 X 1/2 W/RUBBER	4
5	99.SF04	NUT, SF 1/4-20 USS	4
6	83.H409	SPROCKET, #40 9-T HRD 5/8 BORE	1
7	85.K0307	KEY, 3/16 X 5/8	1
8	91.0404	BOLT, 1/4-28 SAE X 1/2	3
9	60.0884	DEFLECTOR, CHUTE LX	1
10	90.0506	BOLT, 5/16-18 USS X 3/4	11
11	95.05	WASHER, FLAT 5/16 SAE	11
12	62.1000	MOUNT, MOTOR HYD. (SERIAL # 1001-1134)	1
13	21.0113	MOTOR, HYD PEERLESS 1.93 CU.IN	1
14	20.0210	HOSE, ASM C 1/4 X 78"-2750	2
15	23.0104	COUPLER, HYD. QUICK MALE 1/4	2
16	29.0092	FITTING, .025 ORIFICE 1/4 PIPE	1
17	99.SF0506	BOLT, SF 5/16-18 USS X 3/4	9
18	62.0993	POST, CHUTE MOUNT (SERIAL # 1001-1134)	1
19	99.A04	LOCKNUT, STOVER 1/4-20 USS	1
20	64.0673	CLAMP, HYD. HOSE 3/8-1/4	1
21	95.04	WASHER, FLAT 1/4 SAE	1
22	90.0410	BOLT, 1/4-20 USS X 1 1/4	1
23	05.0040	GROMMET, 1 1/2ID, 2-3/8OD, 3/32T	1
24	99.SF08	NUT, SF 1/2-13 USS	2
25	85.B0027	BUSHING, 1/2 ID X 5/8 OD X 5/8	1
26	62.1012	CHUTE, MAIN SNOW BLOWER LX420	1
27	99.A06	LOCKNUT, STOVER 3/8-16 USS	1
28	95.06	WASHER, FLAT 3/8 SAE	2
29	41.0039	SPRING, COMP. 9/16 OD X 5/8	1
30	42.0462	LINK, CHUTE ADJUSTMENT	1
31	90.0612	BOLT, 3/8-16 USS X 1 1/2	1
32	90.0816	BOLT, 1/2-13 USS X 2	1
33	99.A05	LOCKNUT, STOVER 5/16-18 USS	2
34	05.0055	WASHER, NYLON .34 X .74 X .062	2
35	60.1013	COVER, MOTOR CHUTE ROTATION (SERIAL # 1135-)	1
36	81.0153	CHAIN, ROLLER #40 X 28" SS (SERIAL # 1135-)	1
37	62.1280	POST, CHUTE MOUNT (SERIAL # 1135-)	1
38	05.0117	WASHER, .544ID X .817 X .14 YEL	1
39	05.0116	WASHER, .544ID X .817 X .14 RED	1

# PARTS

## ILLUSTRATED DRAWING SHIELDS & DECALS



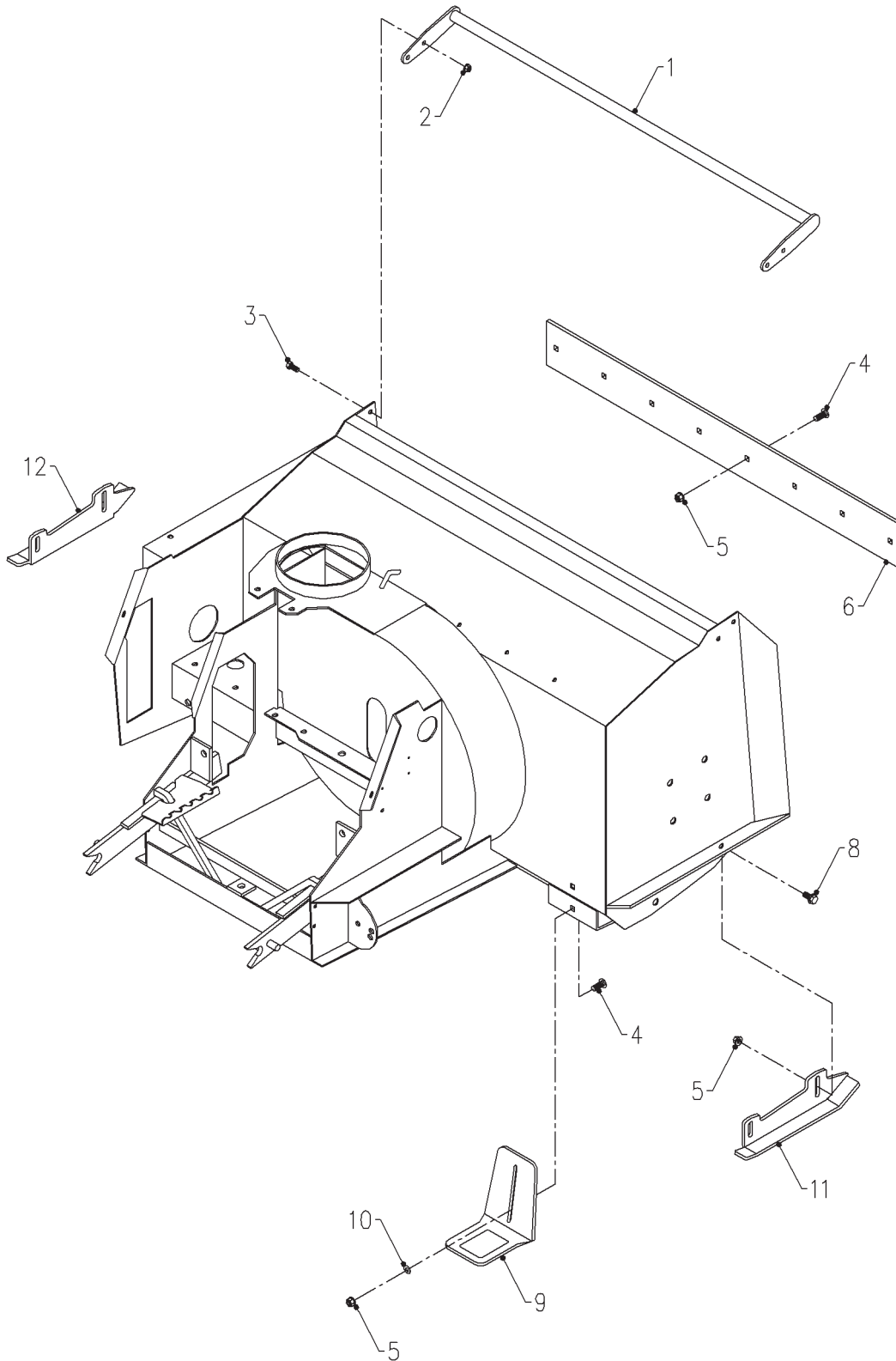
# PARTS

## SHIELDS & DECALS

REF.	PART NO.	DESCRIPTION	QTY.
1	60.0885	GUARD, SNOWBLOWER CHUTE	1
2	99.SF05	NUT, SF 5/16-18 USS	4
3	95.05	WASHER, FLAT 5/16 SAE	4
4	90.0506	BOLT, 5/16-18 USS X 3/4	4
5	00.0123	DECAL, KEEP HAND AND FEET AWAY	2
6	00.0208	DECAL, DANGER AUGER HAZARD	2
7	00.0189	DECAL, VENTRAC ORBITAL	1
8	00.0062	DECAL, DANGER SHIELD MISSING	2
9	99.SF04	NUT, SF 1/4-20 USS	2
10	90.0406	BOLT, 1/4-20 USS X 3/4	10
11	60.0868	SHIELD, AUGER DRIVE BELT	1
12	95.04	WASHER, FLAT 1/4 SAE	10
13	90.0606	BOLT, 3/8-16 USS X 3/4	2
14	95.06	WASHER, FLAT 3/8 SAE	2
15	60.0874	SHIELD, GEARBOX DRIVE LX420	1
16	99.E0046	NUT, "U" 1/4-20 EXTRUDED	4
17	00.0122	DECAL, THROWN OBJECT HAZARD	1
18	00.0101	DECAL, HAZARD-MOVING PART	1
19	60.0875	COVER, GEAR BOX/FAN BELT LX	1
20	99.A04	LOCKNUT, STOVER 1/4-20 USS	4
21	44.0204	BELTING, DRIVE BELT COVER	1
22	64.1097	CLAMP, BELT SHIELD LX420	1
23	00.0217	DECAL, WARNING READ OWNERS MAN	1
24	00.0220	DECAL, GENERAL SAFETY	1

# PARTS

## ILLUSTRATED DRAWING CUTTING EDGE, BUMP BAR, & SKID SHOES





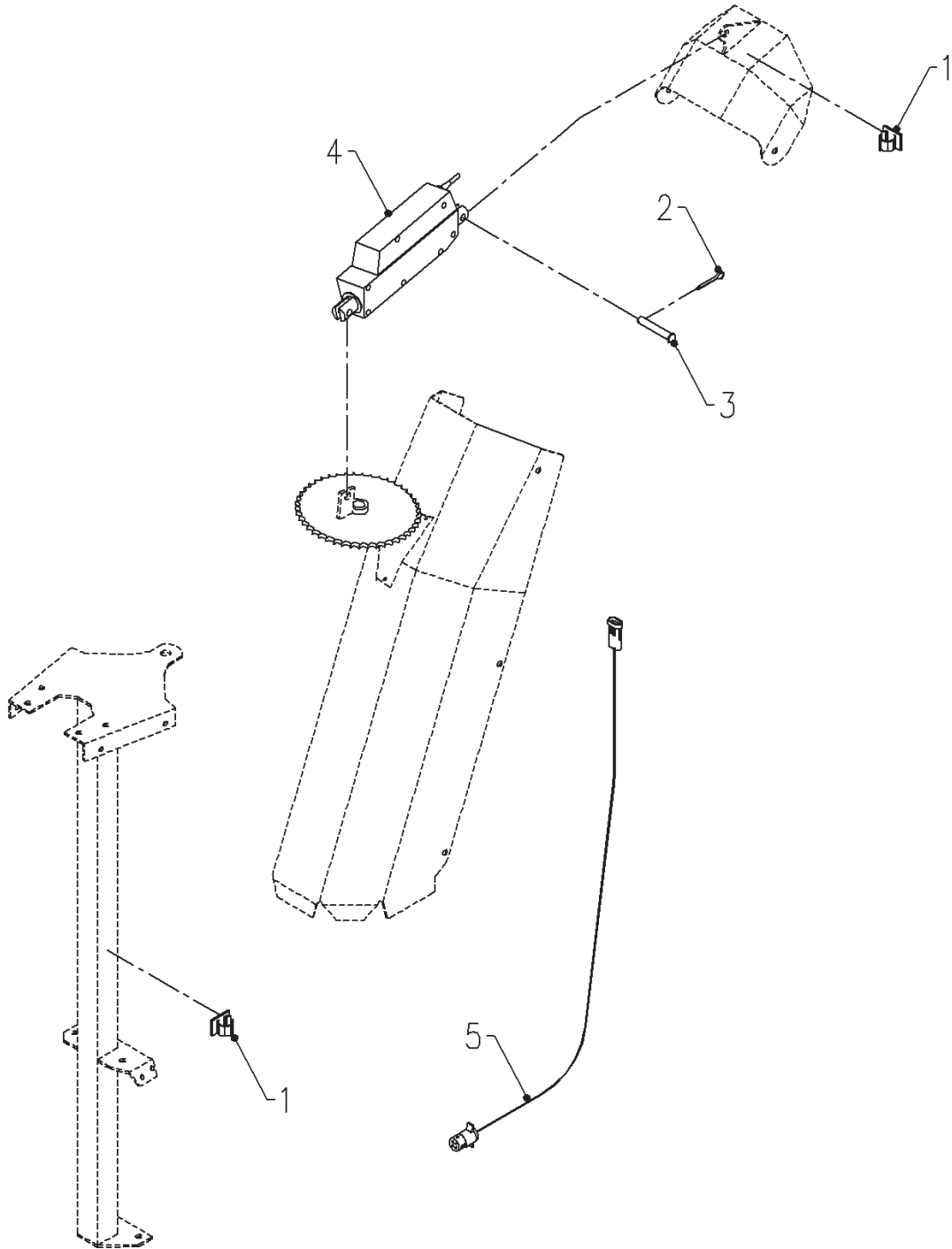
# PARTS

## CUTTING EDGE, BUMP BAR, & SKID SHOES

REF.	PART NO.	DESCRIPTION	QTY.
1	62.1014	BAR, TUBULAR BUMP LX	1
2	99.SF05	NUT, SF 5/16-18 USS	4
3	90.0506	BOLT, 5/16-18 USS X 3/4	4
4	97.0608	BOLT, CARRIAGE 3/8 X 1	12
5	99.SF06	NUT, SF 3/8-16 USS	16
6	78.0060	CUTTING EDGE, 37" THRU HARD	1
8	99.SF0606	BOLT, SF 3/8-16 USS X 3/4	4
9	64.1087	SHOE, SKID KX/LX	2
10	94.05	WASHER, FLAT 5/16 USS	4
11	60.0981	SHOE, RIGHT WEAR EDGE	1
12	60.0984	SHOE, LEFT WEAR EDGE	1

# PARTS/OPTIONS

## ILLUSTRATED DRAWING 12 V ACTUATOR DEFLECTOR CONTROL



# PARTS/OPTIONS

---

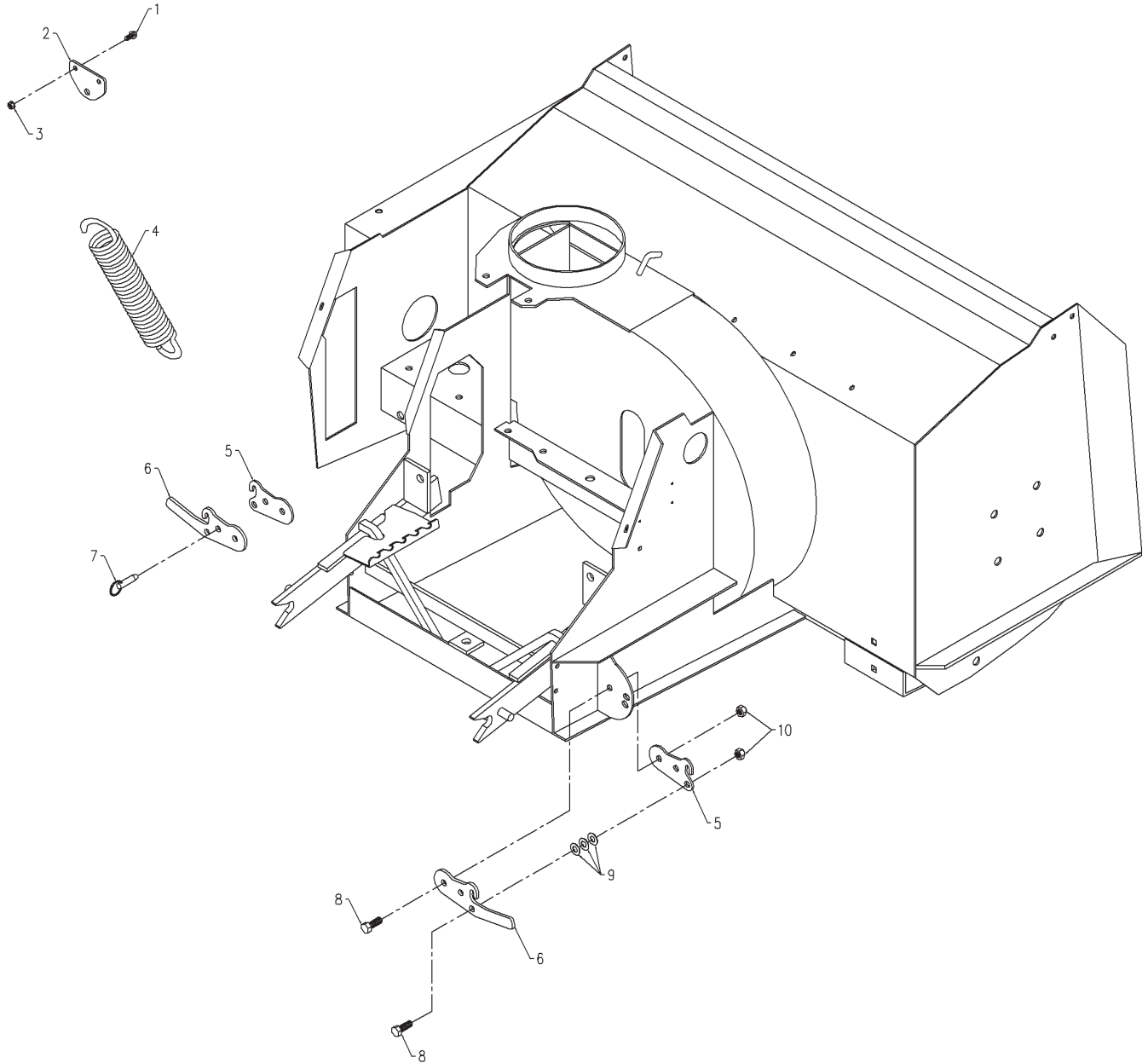
## 12 V ACTUATOR DEFLECTOR CONTROL

REF.	PART NO.	DESCRIPTION	QTY.
1	30.0226	CLAMP, WIRE MT ADH. 3/8 GRAY	2
2	02.CP0306	COTTER PIN, 3/32 X 3/4	2
3	03.0610	CLEVIS PIN, 3/8 X 1 1/4 ZP	2
4	70.8025	KIT, 12V ACTUATOR, HB/KX	1
5	34.1400-1005	WIRE, 14 GA 2 WIRE X 66"	1

# PARTS/OPTIONS

## ILLUSTRATED DRAWING WEIGHT TRANSFER FOR LT3000 TRACTORS

OPTIONAL WEIGHT TRANSFER FOR LT3000 TRACTORS  
KIT # 70.3023



# PARTS/OPTIONS

## WEIGHT TRANSFER FOR LT3000 TRACTORS

REF.	PART NO.	DESCRIPTION	QTY.
1	99.SF0404	BOLT, SF 1/4-20 X 1/2	4
2	64.1116	PLATE, SPRING ANCHOR MOUNTING	2
3	99.SF04	NUT, SF 1/4-20 USS	4
4	41.0075	SPRING, EXT 2" OD X 8-3/8" LG	2
5	64.1115	PLATE, SPRING ANCHOR COMPANION	2
6	40.0321	LEVER, SPRING ANCHOR	2
7	03.0006	PIN, BALL 3/8 X 1"	2
8	90.0608	BOLT, 3/8-16 USS X 1	4
9	95.06	WASHER, FLAT 3/8 SAE	6
10	99.A06	LOCKNUT, STOVER 3/8-16 USS	4



## LIMITED WARRANTY – VENTRAC TURF EQUIPMENT

*Venture Products, Inc.* (shall be referred to as *V.P.I.*) warrants on the terms and conditions herein, that it will repair, replace, or adjust any part manufactured by *Venture Products Inc.* and found by *Venture Products Inc* to be defective in material and / or workmanship.

Effective September 1<sup>st</sup> 2005, *Ventrac* warranty on Tractors & Attachments (excluding the HG100/HG150 generator) for **Residential use only** is limited to **Three (3) years** from original purchase date. *Ventrac* Tractors & Attachments used **Commercially or for any income producing purpose** is limited to **Two (2) years** from original purchase date. *Ventrac* ET200 turbine blower (turbine only) is limited to **Two (2) years** from original purchase date. *Ventrac* HG100/HG150 generator is limited to **One (1) year** from original purchase date. *Ventrac* Tractors & Attachments used for **Rental** is limited to **180 days** from original purchase date. (**NOTE:** All accessories such as: 3-point hitch, foot pedal, dual wheel kit, etc. will be covered under the above warranty periods as they would apply provided they are installed by an Authorized *Ventrac* Dealer.) This warranty may be transferred and will carry the remainder of the warranty starting from the Original Purchase/Registration date with the dealership and/or *V.P.I.* In the event that product/s originally registered as **(3) year Residential use** are to be transferred to a commercial user the warranty would change to the remainder of **(2) year Commercial use** starting from the Original Purchase/Registration date with the dealership and/or *V.P.I.*

If this warranty covers a consumer product as defined by the Magnusson-Moss warranty act, no warranties, express or implied, (including, but not limited to, the warranty of merchantability or fitness for a particular purpose) shall extend beyond the applicable time period stated in bold face type above.

If this warranty covers a product used commercially or for any income producing purpose, the foregoing warranties are in lieu of all other warranties and no representations, guarantees or warranties, express or implied, (including, but not limited to, a warranty of merchantability or fitness for a particular purpose), are made by *V.P.I.* in connection with the manufacture or sale of its products.

The engine warranty is covered by its respective engine manufacturer. Please refer to the engine manufacturer's warranty statement that is included in the owner's manual.

The *Ventrac* turf equipment, including any defective parts, must be returned to an Authorized *Ventrac* Dealer within the warranty period. The warranty shall extend to the cost to repair or replace (as determined by *V.P.I.*) the defective part. **The expense of pickup and delivery of equipment, service call drive time or any transportation expense incurred for warranty repair is the sole responsibility of the owner and is not covered under warranty by *Ventrac* and/or *V.P.I.*** *V.P.I.*'s responsibility in respect to claims is limited to making the required repairs or replacements, and no claim of breach of warranty shall be cause for cancellation or rescission of the contract of sale of any *Ventrac* equipment. Proof of purchase may be required by the dealer to substantiate any warranty claim. Only warranty work performed and submitted by an Authorized *Ventrac* Dealer may be eligible for warranty credit.

This warranty extends only to *Ventrac* turf equipment operated under normal conditions and properly serviced and maintained. The warranty expressly does **NOT** cover: (a) any defects, damage or deterioration due to normal use, wear and tear, or exposure; (b) normal maintenance services, such as cleaning, lubrication, oil change; (c) replacement of service items, such as oil, lubricants, spark plugs, belts, rubber hoses or other items subject to normal service replacement; (d) damage or defects arising out of, or relating to abuse, misuse, neglect, alteration, negligence or accident; (e) repair or replacement arising from



## LIMITED WARRANTY – VENTRAC TURF EQUIPMENT

operation of, or use of the turf equipment which is not in accordance with operating instructions as specified in the operator's manual or other operational instructions provided by *V.P.I.*; (f) repair or replacement arising as a result of any operation from *Ventrac* turf equipment that has been altered or modified so as to, in the determination of *V.P.I.*, adversely affect the operation, performance or durability of the equipment or that has altered, modified or affected the turf equipment so as to change the intended use of the product; (g) repair or replacement necessitated by the use of parts, accessories or supplies, including gasoline, oil or lubricants, incompatible with the turf equipment or other than as recommended in the operator's manual or other operational instructions provided by *V.P.I.*; (h) repairs or replacements resulting from parts or accessories which have adversely affected the operation, performance or durability of the turf equipment; or (i) damage or defects due to or arising out of repair of *Ventrac* turf equipment by person or persons other than an authorized *Ventrac* service dealer or the installation of parts other than genuine *Ventrac* parts or *Ventrac* recommended parts.

The sole liability of *V.P.I.* with respect to this warranty shall be repair and replacement as set forth herein. *V.P.I.* shall have no liability for any other cost, loss, or damage. In particular *V.P.I.* shall have no liability or responsibility for: (i) expenses relating to gasoline, oil, lubricants; (ii) loss, cost or expense relating to transportation or delivery of turf equipment from the location of owner or location where used by owner to or from any Authorized *Ventrac* Dealer; (iii) travel time, overtime, after hours time or other extraordinary repair charges or charge relating to repairs or replacements outside of normal business hours at the place of business of an Authorized *Ventrac* Dealer; (iv) rental of like or similar replacement equipment during the period of any warranty repair or replacement work; (v) any telephone or telegram charges; (vi) loss or damage to person or property other than that covered by the terms of this warranty; (vii) any claims for lost revenue, lost profit or additional cost or expense incurred as a result of a claim of breach of warranty; or (viii) attorney's fees.

The remedies of buyer set forth herein are exclusive and are in lieu of all other remedies. The liability of *V.P.I.*, whether in contract, tort, under any warranty, or otherwise, shall not extend beyond its obligation as set forth herein. *V.P.I.* shall not be liable for cost of removal or installation nor shall *V.P.I.* be responsible for any direct, indirect, special or consequential damages of any nature. In no event shall *V.P.I.* be liable for any sum in excess of the price received for the goods for which liability is claimed.

There are no representations or warranties which have been authorized to the buyer of the turf equipment other than set forth in this warranty. Any and all statements or representations made by any seller of this equipment, including those set forth in any sales literature or made orally by any sales representative, are superseded by the terms of this warranty. Any affirmation of fact or promise made by *V.P.I.* or any of its representatives to the buyer which relates to the goods that are the subject to this warranty shall not be regarded as part of the basis of the bargain and shall not be deemed to create any express warranty that such goods shall conform to the affirmation or promise.

No employee, distributor, or representative is authorized to change the foregoing warranties in any way or grant any other warranty on behalf of *V.P.I.*

Some states do not allow limitations on how long an implied warranty lasts or allow the exclusion on limitation of incidental or consequential damages, so the above limitation or exclusion may not apply to you.

This warranty gives you specific legal rights, and you may also have other rights which vary from state to state.

This warranty applies to all *Ventrac* turf equipment sold in the United States and Canada.